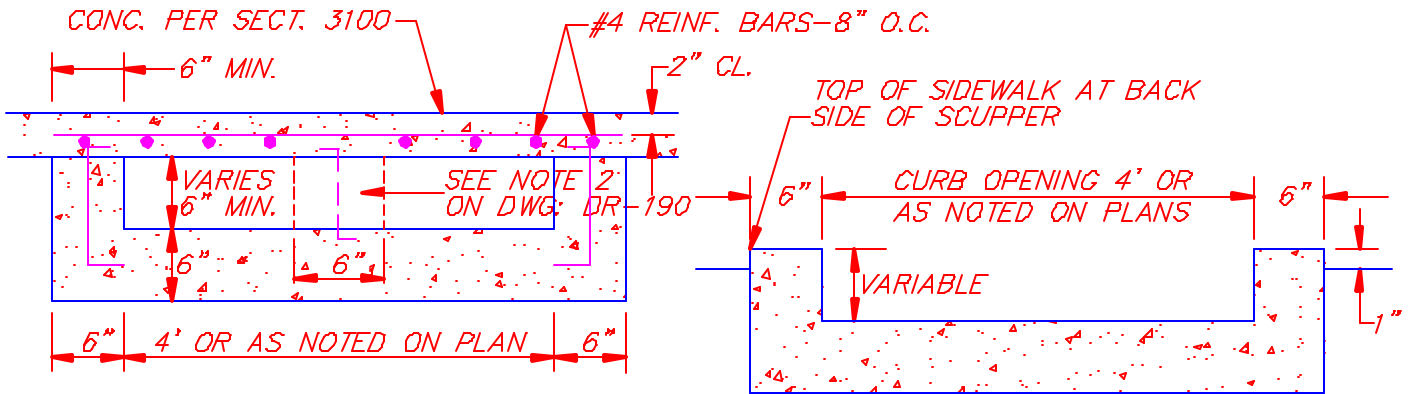
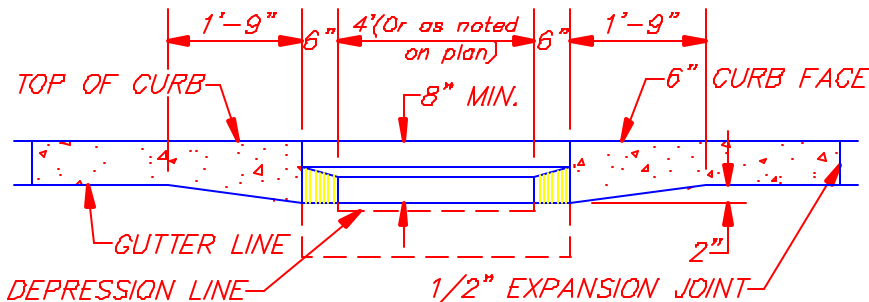


SCUPPER PLAN VIEW



SECTION B-B

SECTION C-C  
SPILLWAY



SECTION A-A

CONCRETE SCUPPER

TOWN OF NEW CASTLE

NOT TO SCALE

DWG: DR-180